

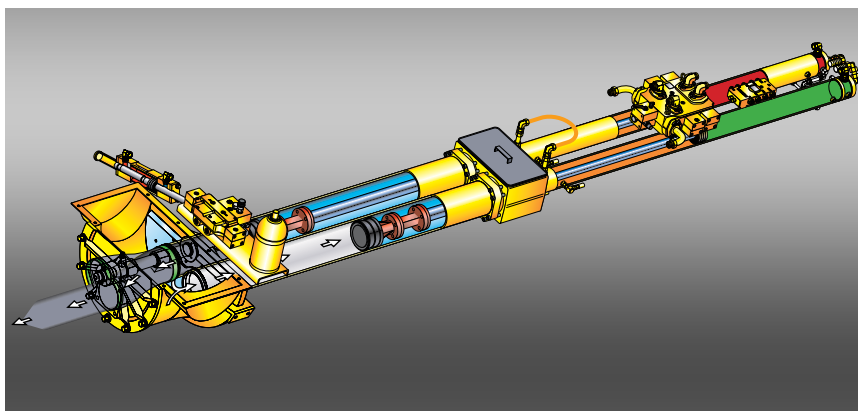
S 32 X / S 36 X

Truck-Mounted concrete pump with
4-section placing boom



AN ALL AROUND BOOM PUMP VALUE

Four-section boom versatility, impressive output and Schwing reliability.



*This open loop **Generation 3** all-hydraulic concrete pump sets the standard for fuel-efficiency, reliability and performance. Twin circuit hydraulics combine with the longest stroking pumping cylinders in the industry for a smooth, continuous flow of concrete which also translates to longer boom life. **Big Rock Valve** is designed to pump the harshest mixes and provide the lowest per yard operating costs.*



*Patented **Vector Controls** allow two-way communication between pump and operator. Critical real-time operating data is displayed at the remote box and stored in the controller for easy retrieval.*



As the only boom in your yard or as an addition to your fleet, you will rarely come up short with an S 32 X (104'11" reach) or S 36 X (115'6" reach). And with the popular Roll and Fold[®] design of these booms you will enjoy low unfolding height and fast cleanout so you can pump more jobs in a day. Three-axle truck mounting gets you into jobs and around town with easy maneuverability for high utilization.

The standard pump kits on these models are the fuel efficient 2023-5 130/80 MPS (32X) providing 211 cubic yards per hour and 2025-5 120/80 MPS (36X) providing up to 182 cubic yards per hour. This pump earns you more profit by pumping more with fewer strokes, meaning up to 13 percent less wear, a longer service life, less fuel consumption, and less downtime.

Other standard value features include long life twin wall Super 3000 pipeline, carbide wear parts, 105 gallon water tank with high output water pump, and night light kit. Optional features include auto greasing systems, high pressure washer with wand, and water tank heater. Global harmonization of these pumps means great pricing for an exceptional all around boom pump value.



*The integrated **tool box** keeps supplies organized and truck cabs cleaner. Lightweight aluminum construction provides long lasting service.*



*Fold down **sideboards** store extra pipe and clamps for line pours and add to the pump's all-around capabilities. Pump residential jobs through the boom and commercial jobs through the discharge pipe attached to slickline.*

SPECIFICATIONS

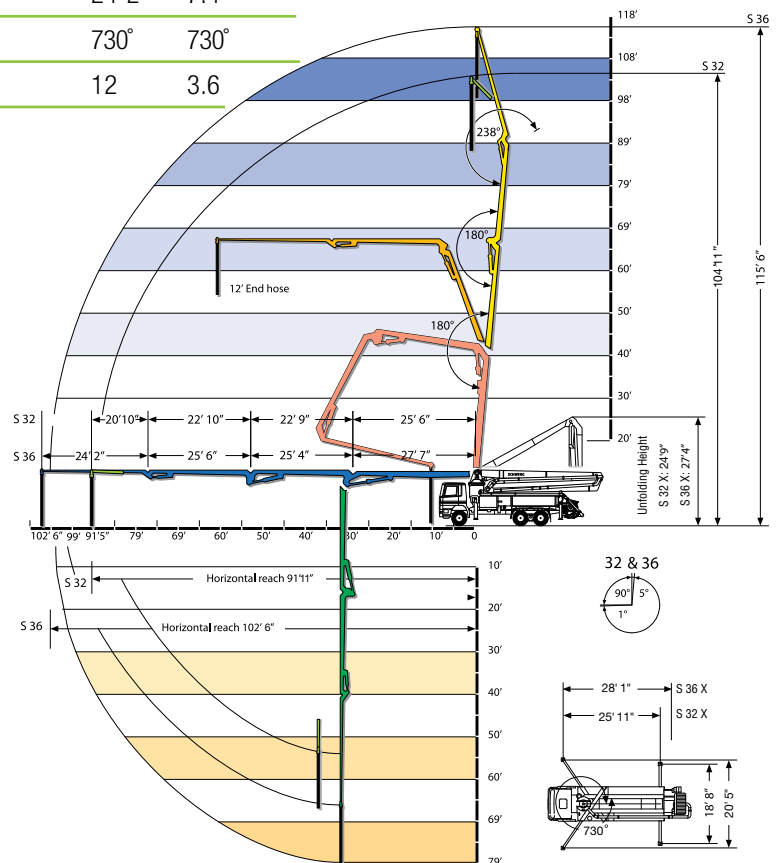
Pump Kits

	S 32 X		S 36 X	
	2023-5 130/80 MPS U.S.	Metric	2025-5 120/80 MPS U.S.	Metric
Theor. Concrete Output Per Hour (cubic yards - cubic meters)	211	161	178	136
Maximum Pressure on Concrete (psi - bar)	950	65	1002	70
Maximum Strokes Per Minute	32	32	24	24
Material Cylinder Diameter (in. - mm)	9	230	10	254
Material Cylinder Stroke Length (in. - mm)	79	2000	79	2000
Differential Cylinder Size (in. - mm)	5.1	130	4.7	120
Maximum Aggregate Size (in. - mm)	2.5	63.5	2.5	63.5

Boom Specifications

	S 32 X		S 36 X	
	U.S.	Metric	U.S.	Metric
Pipeline Diameter (in. - mm)	5	125	5	125
Vertical Reach (ft.-in. - m)	104-11	32	115-6	35.2
Horizontal Reach (ft.-in. - m)	91-11	28	102-6	31.2
Net Horizontal Reach (ft.-in. - m)	83-7	25.5	95-1	29
Unfolding Height (ft.-in. - m)	24-9	7.5	27-4	8.3
Section Lengths				
First Section (ft.-in. - m)	25-6	7.7	27-7	8.4
Second Section (ft.-in. - m)	22-9	6.9	25-4	7.7
Third Section (ft.-in. - m)	22-10	6.9	25-6	7.8
Fourth Section (ft.-in. - m)	20-10	6.3	24-2	7.4
Slewing Range (degrees)	730°	730°	730°	730°
End hose length (ft. - m)	12	3.6	12	3.6

Specifications are subject to change without prior notice.



Only one manufacturer can supply the Schwing experience.

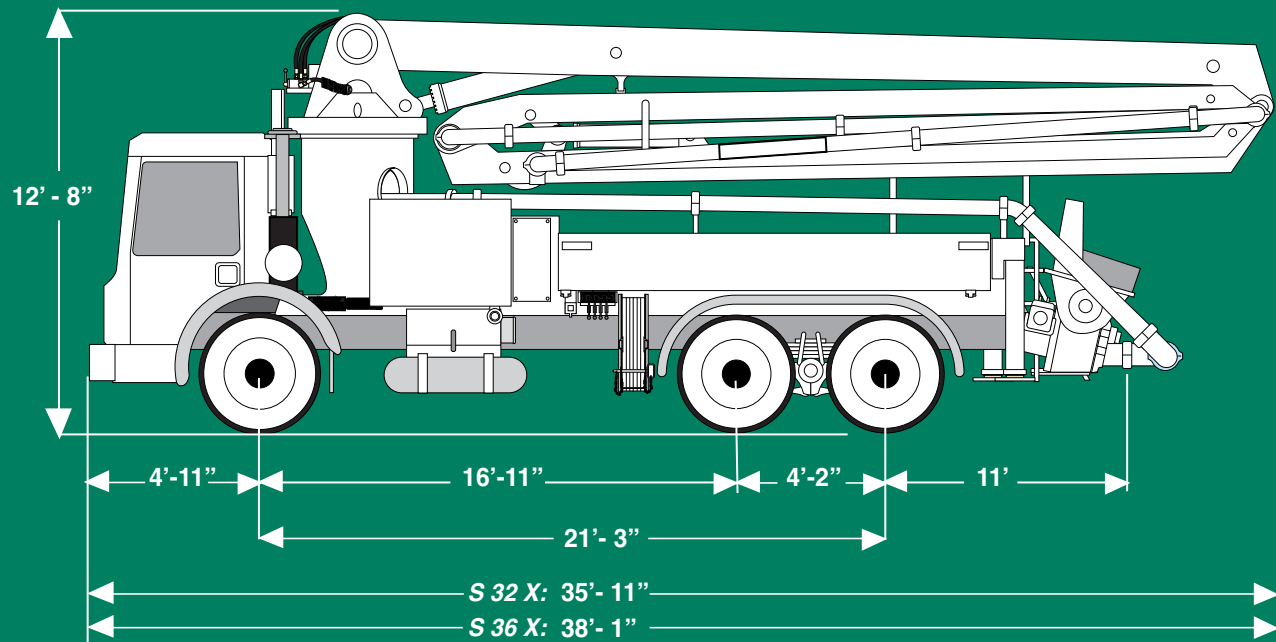
Thousands of our customers form a backdrop of success that you can join by letting us spec the right piece of equipment for your needs. And a select group of knowledgeable dealers provides another layer of invaluable experience. You and your staff will be welcomed into our dedicated training facility to learn how to extract the maximum profitability from your Schwing. And your investment is backed by the exclusive Green Shield warranty that can be extended to an industry-leading three years.



More than 400,000 square feet are devoted to producing the highest quality concrete equipment at our [White Bear, Minnesota](#) plant. From close inspection of incoming materials to forming our products with the latest robotic welding techniques, Schwing takes craftsmanship to the highest standards. Our state-of-the-art paint facility produces finished products you will be proud to put your name on. In addition, a vast inventory of parts are on hand to keep your Schwing product running at maximum efficiency. Please schedule a visit to this modern facility located minutes north of Minneapolis/St. Paul to see our long-term commitment to the market.

S 32 X / S 36 X

(Dimensions shown apply to Mack truck mounted units and may vary unit to unit or for other makes and models of trucks.)



SCHWING-STETTER MOVES CONCRETE. **WORLDWIDE.**

Wherever concrete is produced and moved is where you will find Schwing-Stetter machinery.

With plants in Germany, Austria, USA, Brazil, Russia, China and India as well as with more than 100 sales and service facilities, the group of companies is always close to the customer.

Our wide range of products with something for every application is what makes Schwing-Stetter the No. 1 system supplier for concrete machinery worldwide.



CONCRETE
BATCHING PLANTS



TRUCK
MIXERS



TRUCK-MOUNTED
CONCRETE PUMPS



STATIONARY
CONCRETE PUMPS



SEPARATE
PLACING BOOMS



CONCRETE
RECYCLERS

