

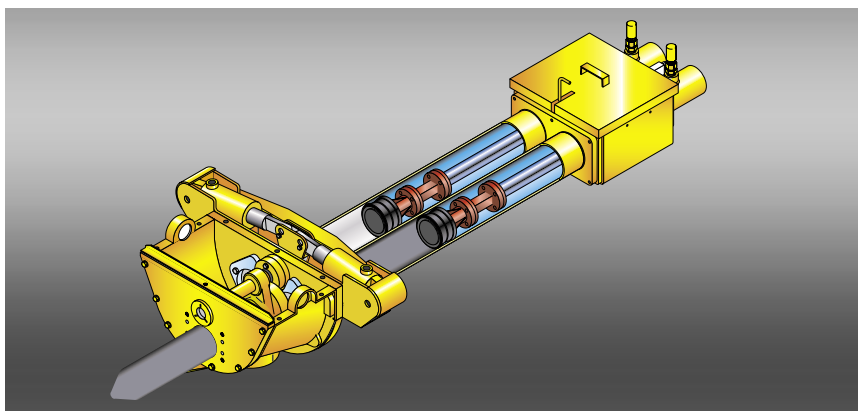
# SP 1800 / SP 2800

Stationary concrete pumps



## ONE PUMP... MANY APPLICATIONS

- Output to 130 cu.yds./hr.
- Pressure to 1566 psi
- 2.5" Max Aggregate



*The single circuit, all-hydraulic system provides unparalleled reliability with its fuel-efficient open loop design, cool running and quiet operation. Easily switch to high pressure operation when situations demand it. Key to the success and popularity of all Schwing concrete pumps is the **Rock Valve™** which pumps the harshest mixes with the lowest cost per yard in wear parts and maintenance.*



*Convenient **control panel** includes electric switches for on/off, forward/reverse and agitator on/off. Gauges monitor pumping pressure and rpm.*



These are the money makers. Very few pumping jobs exceed their abilities and legendary Schwing reliability and low operating costs provide a continuous return on your investment. Pump out mid-rise structures and mezzanines while maintaining volume over impressive distances. And you can pump the harshest mixes thanks to the exclusive Schwing Rock Valve™ that handles them all.

Mechanics appreciate the simple, all-hydraulic Schwing design that sequences the Rock Valve™ with the material cylinders and eliminates troublesome electronic controls. Serviceability is a priority with all Schwing concrete pumps to promote maximum productivity.

Operators appreciate the easy access to the Rock Valve™ during cleanout which requires less water and less time. Central greasing is another convenience that adds up to long term payback through proper lubrication. And an attractive fiberglass cover protects your investment for more uptime and more profits.



*Remote control (cable or optional radio remote) frees the operator to monitor pumping progress. Critical functions include on/off and forward/reverse.*



*Fuel efficient Deutz diesel engine is chosen for performance and reliability. Tier III / COM III is standard and Tier II is optional.*



*Optional, hydraulically powered air compressor is mounted on front of pump for easy access and provides 30 CFM @ 140 psi for system cleanout and other jobsite duties.*

Only one manufacturer can supply the Schwing experience.

Thousands of our customers form a backdrop of success that you can join by letting us spec the right piece of equipment for your needs. Six company stores with technicians and parts placed strategically across the country provide service expertise as close as your phone. And a select group of knowledgeable dealers provides another layer of invaluable experience. You and your staff will be welcomed into our facility to learn how to extract the maximum profitability from your concrete pump.

Generations of successful owners have chosen the Schwing experience. As a third generation family owned company we understand how important quality equipment is to your business and how important your business is to us.



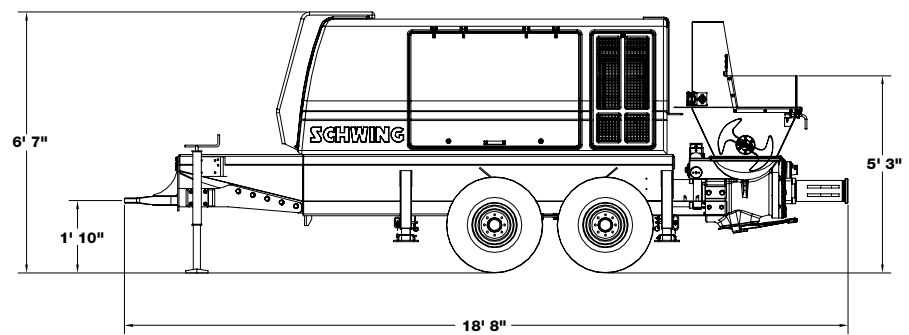
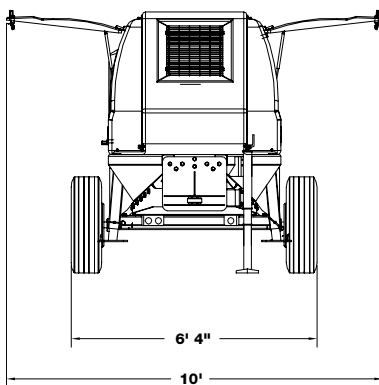
*The stationary pump plant in Atlanta is a modern model of efficiency, manufacturing pumps in trailer, skid or truck-mounted configurations for contractors around the world. From close inspection of incoming materials to forming our products with the latest welding techniques, Schwing takes craftsmanship to the highest standards. Our state-of-the-art paint facility produces finished products you will be proud to put your name on. In addition, a vast inventory of parts are on hand to keep your Schwing product running at maximum efficiency. Please schedule a visit to this modern facility located just north of Atlanta to see our long-term commitment to the global market.*

# SPECIFICATIONS

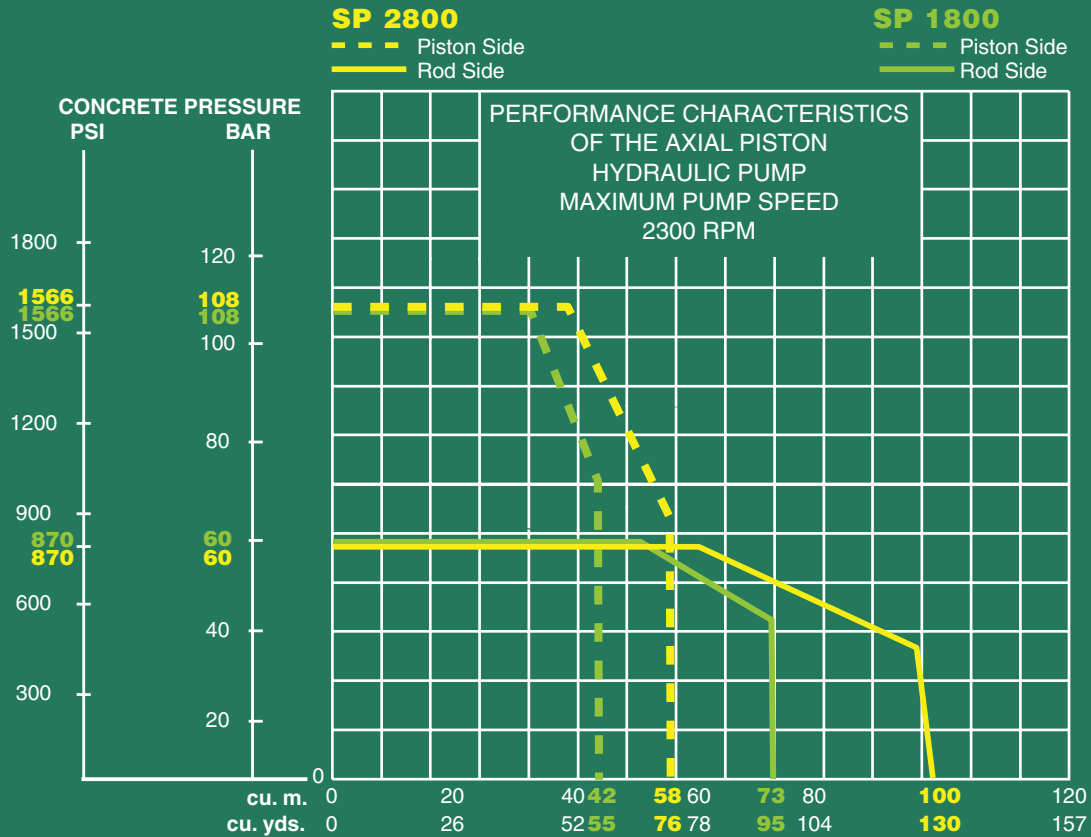
## PUMP SPECIFICATIONS

	SP 1800		SP 2800	
	U.S. Rod/Piston	Metric Rod/Piston	U.S. Rod/Piston	Metric Rod/Piston
Theor. Concrete Output Per Hour (cubic yards - cubic meters)	95/55	73/42	130/76	100/58
Maximum Pressure on Concrete (psi - bar)	870/1566	60/108	870/1566	60/108
Maximum Strokes Per Minute	24/14	24/14	33/19	33/19
Pump Cylinder Diameter (in. - mm)	8	200	8	200
Pump Cylinder Stroke Length (in. - mm)	63	1600	63	1600
Differential Cylinder Size (in. - mm)	4.7	120	4.7	120
Maximum Aggregate Size (in. - mm)	2.5	64	2.5	64
Concrete Valve Type	Rock Valve RL			
Hopper Capacity (cubic feet-cubic meters)	11	.31	11	.31
Engine Power (horsepower-kilowatt)	169	126	197	146
Axle	Single Axle Job Site/Dual Highway Axle			
Outrigger Legs	Four Manual Adjustable			
Length (ft-in.-mm)	18-8	5725	18-8	5725
Width (ft-in.-mm)	6-4	1937	6-4	1937
Height (ft-in.-mm)	6-7	2019	6-7	2019
Trailer Units Weight (pounds-kilograms)	11,905	5400	12,250	5556
Remote Control Cable	Cable-Pump Forward/Stop/Reverse/E-Stop			

Specifications are subject to change without prior notice.







## SCHWING-STETTER MOVES CONCRETE. **WORLDWIDE.**

Wherever concrete is produced and moved is where you will find Schwing-Stetter machinery.

With plants in Germany, Austria, USA, Brazil, Russia, China and India as well as with more than 100 sales and service facilities, the group of companies is always close to the customer.

Our wide range of products with something for every application is what makes Schwing-Stetter the No. 1 system supplier for concrete machinery worldwide.



**CONCRETE  
BATCHING PLANTS**



**TRUCK  
MIXERS**



**TRUCK-MOUNTED  
CONCRETE PUMPS**



**STATIONARY  
CONCRETE PUMPS**



**SEPARATE  
PLACING BOOMS**



**CONCRETE  
RECYCLERS**