



SCHWING

Modular Octagonal Masts for Separate Placing Booms



Schwing simplifies the process of mounting and erecting separate placing booms with the new modular octagonal mast design. This innovative system provides value, convenience and a world-wide solution for all Schwing separate placing boom applications. Simply assemble the four or

six-meter sections to create the mast length that best suits your project's needs. Transporting and handling the modular sections is simplified and 16 reusable bolts are all that is needed to join the sections. The strength of the modular sections allows free-standing applications to 70-feet for 32-meter booms and 50-

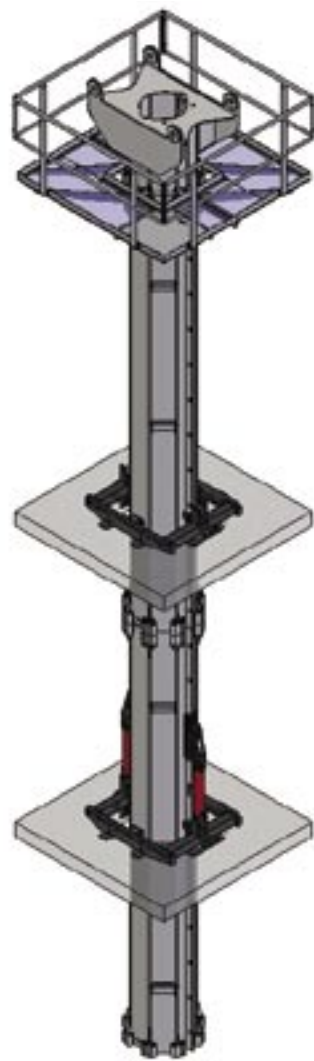
feet for 39-meter units without counterweight. The modular system also allows rapid changes in the field if project requirements dictate a switch in length or type of mounting. Accessories can also be easily added thanks to brackets welded on each mast section that accept convenient ladder/pipeline holders allowing

fast installation with no tools required. Standard length ladders with bolt on back protectors and a galvanized expandable metal work platform are also available to give workers a stable environment when mounting or operating a placing boom.

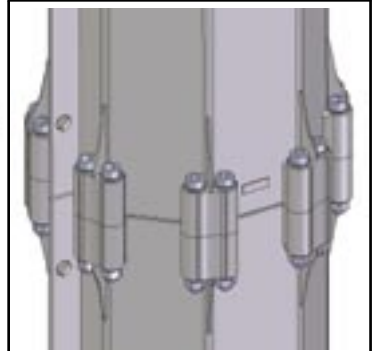
The same octagonal mast works in free-standing, self-climbing and non-climbing slab-supported applications. The floor frame used to position the mast in slabs is now a four-part assembly that is easier to handle and reposition. The self-climbing option connects to pre-welded tabs on each mast section for attachment of the jacking cylinders. This octagonal support system also adapts well to applications with climbing form work. Ask your Schwing representative how the new modular octagonal mast can streamline your next separate placing boom project. Because of the thousands of successful projects performed with Schwing separate placing booms and concrete pumps, we have the experience and engineering support to meet your concrete placing requirements.



Accessories can be easily added thanks to brackets welded on each mast section.



Modular octagonal sections (for 4m & 6m lengths) bolt together for ease of assembly. Floor frames provide a secure method to position the mast in deck openings. An optional external high speed self-climbing device can be easily installed.



SCHWING GROUP

Join the worldwide Schwing family with manufacturing facilities in eight countries to supply the global needs of the concrete industry. Visit our North American plant to see first hand the Schwing craftsmanship that really contributes to your success.



SCHWING

5900 Centerville Road
 St. Paul, MN 55127
 Tel 1-888-SCHWING
 Fax 651-429-3464
 www.schwing.com

Represented by